

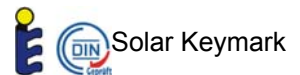
Solar Collector Factsheet

Fakro SKW 114x140



Model	SKW 114x140
Type	Flat plate collector
Manufacturer	Fakro PP Sp. z o.o.
Address	ul. Wegierska 144a
	PL-33-300 Nowy Sacz
Telephone	
Fax	--
Email	--
Internet	www.fakro.com
Test date	08.2009

- Performance test EN12975:2006
- Quality test EN12975:2006



Dimensions

Total length	1.411 m
Total width	1.145 m
Gross area	1.616 m ²
Aperture area	1.367 m ²
Absorber area	1.366 m ²
Weight empty	32 kg

Technical data

Minimum flowrate	60 l/h
Nominal flowrate	120 l/h
Maximum flowrate	180 l/h
Fluid content	1.0 l
Maximum operating pressure	6 bar
Stagnation temperature	200 °C

Types of mounting

- Construction for sloping roof
- Integration into sloping roof
- On flat roof with stand
- Facade

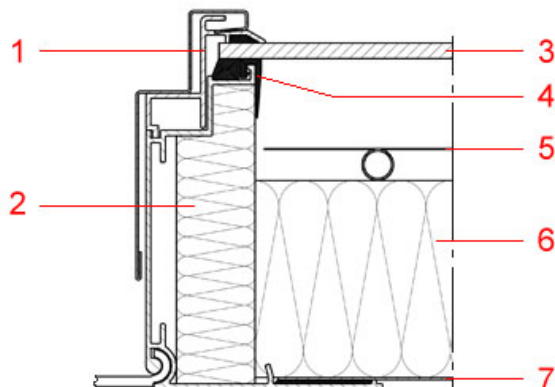
Further information

- Units in different sizes available
- Glazing replaceable

Hydraulic connection

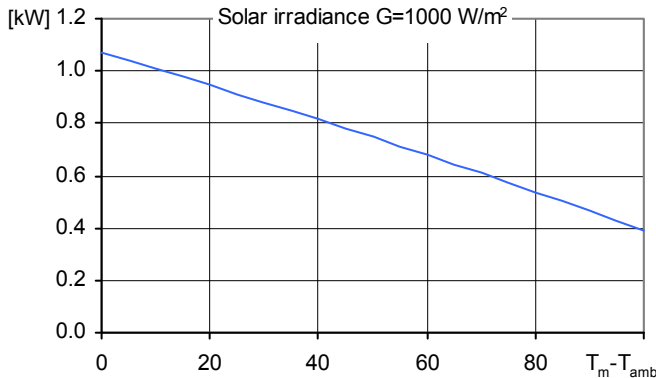
R3/4"

Construction



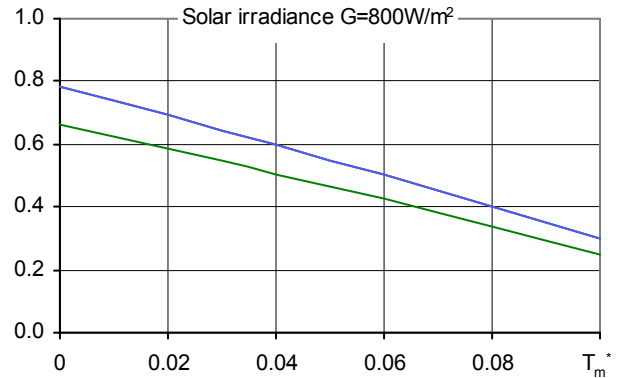
- 1 Frame
- 2 Lateral thermal insulation
- 3 Glazing
- 4 Glass fixing profile
- 5 Absorber
- 6 Thermal insulation
- 7 Rear panel

Peak Power per collector unit W_{peak}



Peak Power W_{peak}	1067 W
Thermal capacity*	3.4 kJ/K
Flowrate during test	100 l/h
Fluid for test	Water-Glycol 33.3%

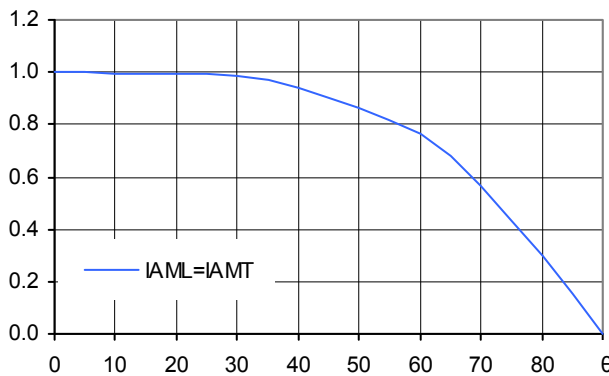
Relative efficiency η



Reference	Gross	Aperture	Absorber
η_0	0.660	0.780	0.781
a_1 [WK ⁻¹ m ⁻²]	3.69	4.37	4.37
a_2 [WK ⁻² m ⁻²]	0.0050	0.0059	0.0059

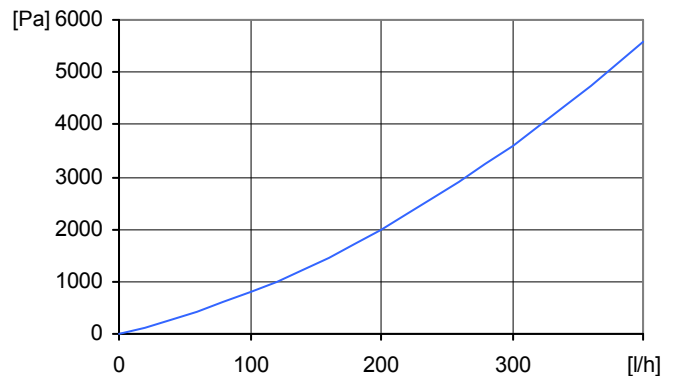
*) Specific thermal capacity C of the collector without fluid, determined according to 6.1.6.2 of EN12975-2:2006

Incident angle modifier IAM



K1, transversal IAM at 50°	0.86
K2, longitudinal IAM at 50°	0.86

Pressure drop Δp



Pressure drop at nominal flowrate
 $\Delta p = 1007$ Pa (T=20°C)

SPF Simulation of systems using Polysun

Short description of the system

Climate: Central Switzerland, orientation of the collectors: South,
Cold water 10°C, Hot water 50°

Domestic hot water: Fss* = 60%

Tank 450 l, collector inclination 45°,
Daily energy demand 10 kWh (4-6 persons)
Energy demand of the reference system 4200 kWh/year

Water pre-heating: Fss* = 25%

2 Tanks: 1500 l & 2500 l, collector inclination 30°,
Domestic hot water consumption 10'000 l/day (200 persons)
Daily heat losses (circulation and tanks) 60 kWh,
Energy demand of the reference system 191'700 kWh/year

Space heating system: Fss* = 25%

Combined storage 1200 l, collector inclination 45°,
Daily energy demand 10 kWh (4-6 persons), Building 200 m², moderately
heavy construction, well insulated, Heating power demand 5.8 kW (ambient
temperature -8°C), Energy demand space heating 12140 kWh/year,
Energy demand of the reference system 16340 kWh/year

Surface demand**
Number of collectors

Solar yield**

5.67 m²
4.1 collectors 448 kWh/m²

71.7 m²
52.5 collectors 670 kWh/m²

18.9 m²
13.8 collectors 284 kWh/m²

*) Fractional solar savings: Proportion of the final energy that, thanks to the solar system, can be saved compared to a reference system.
**) Surface demand and solar yield are given with respect to the aperture area.