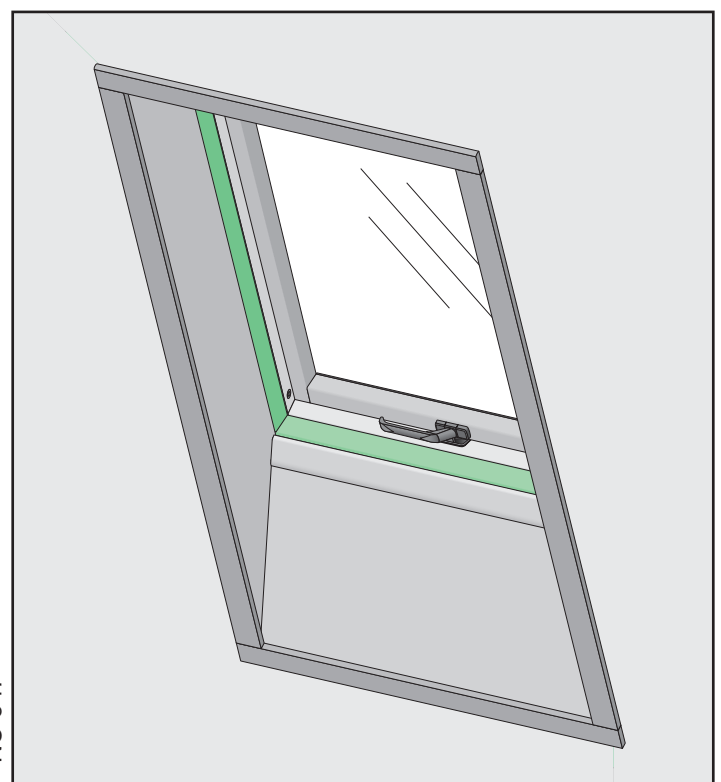
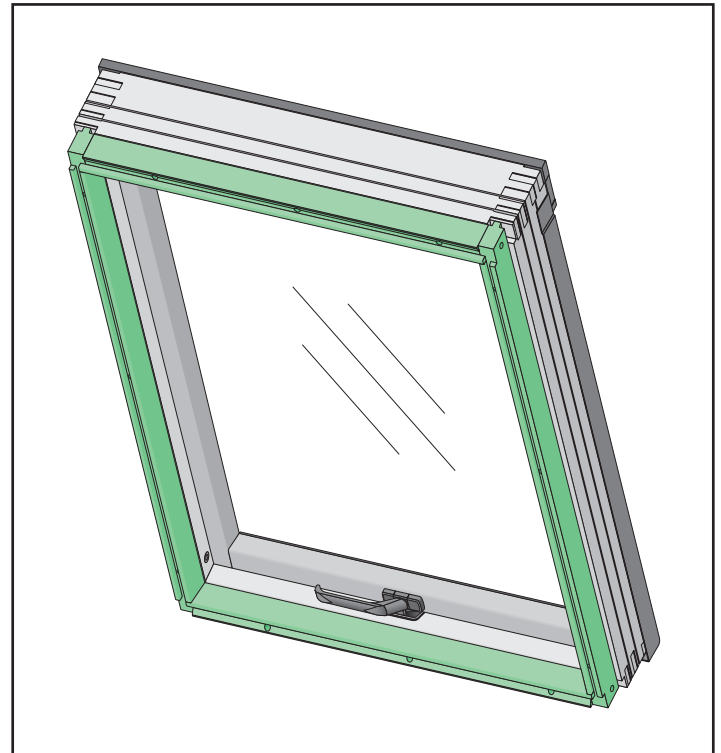
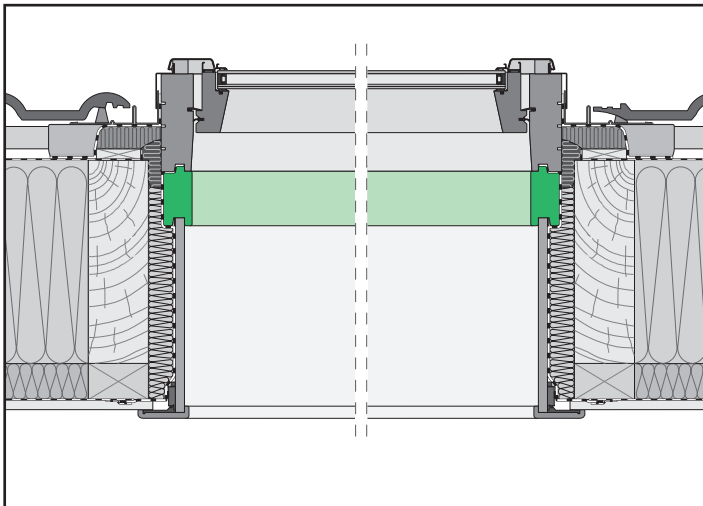
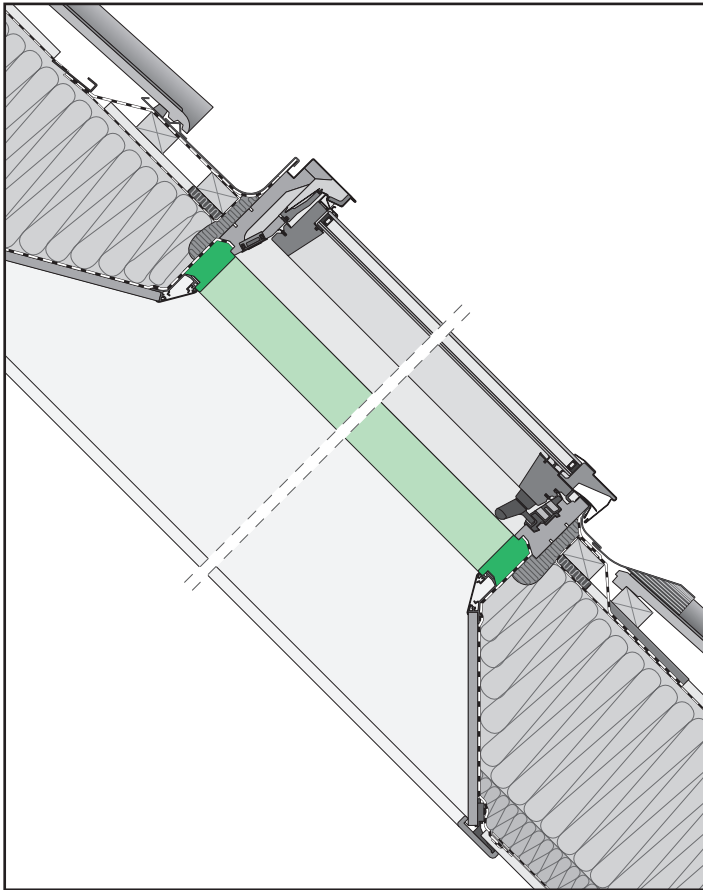
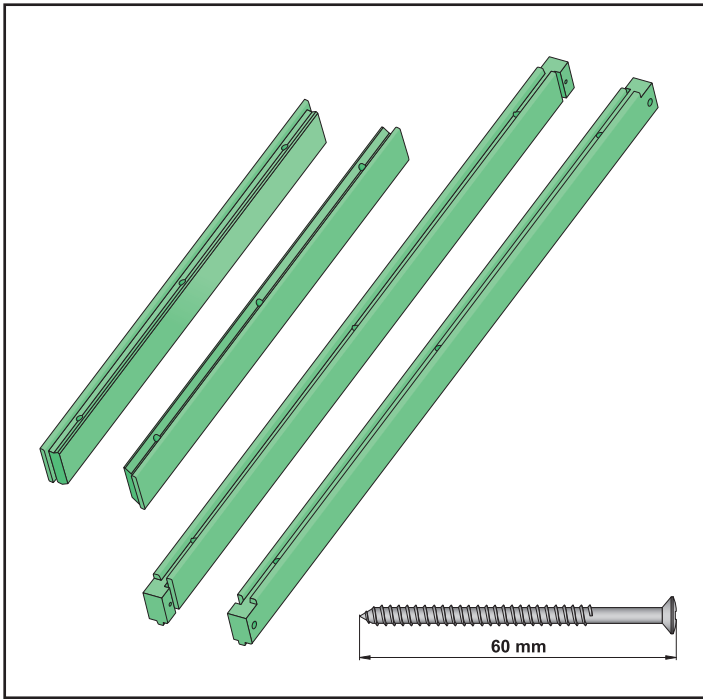


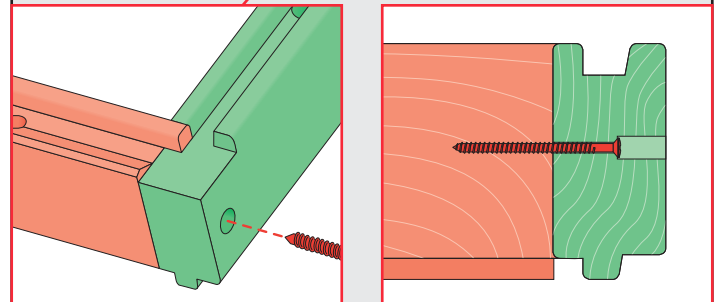
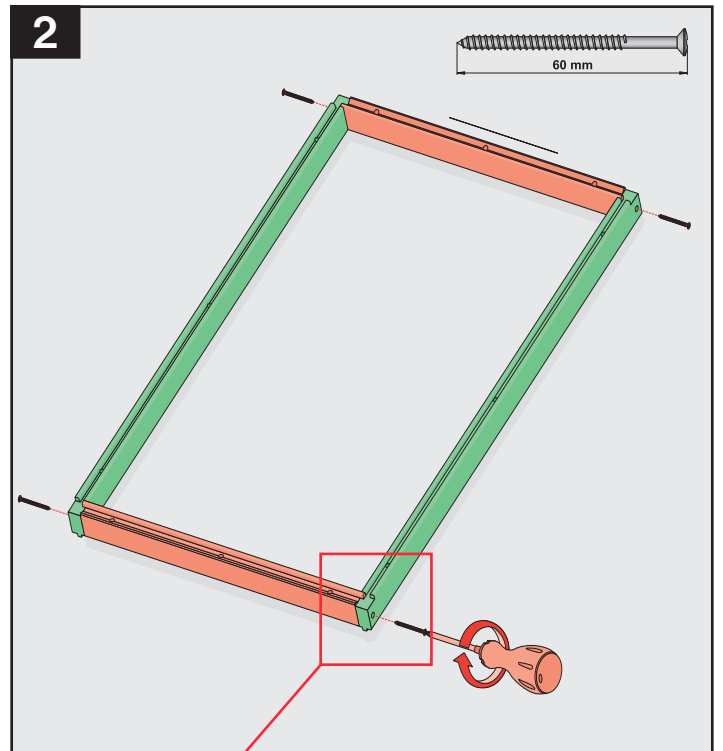
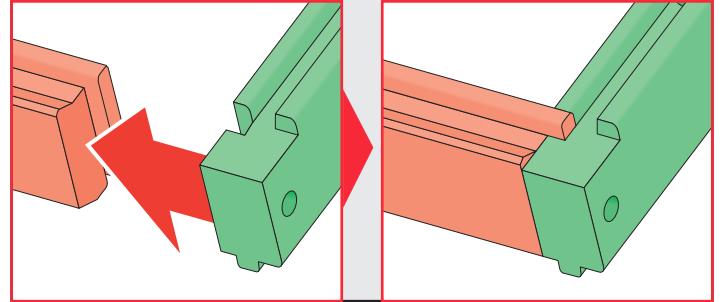
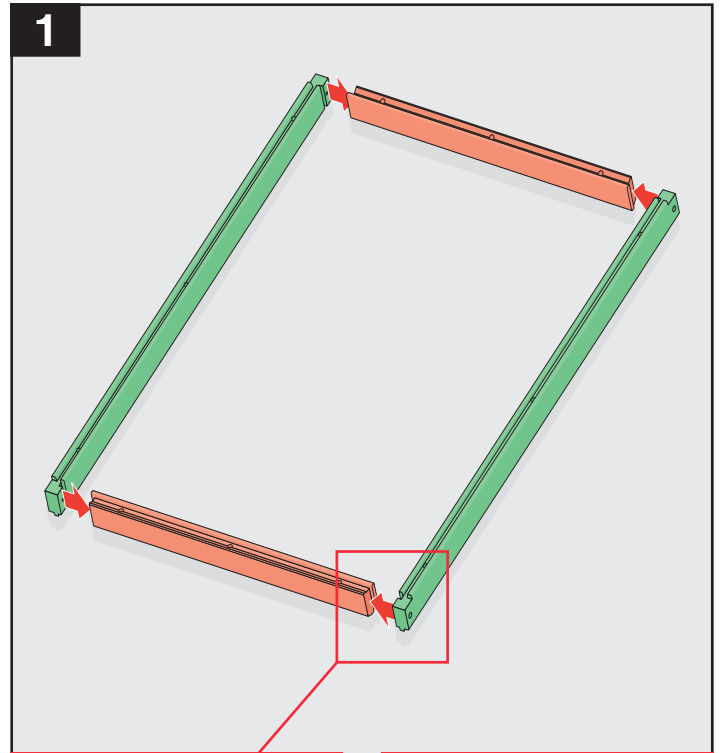
# XGP, XGW



NC 947



2



3