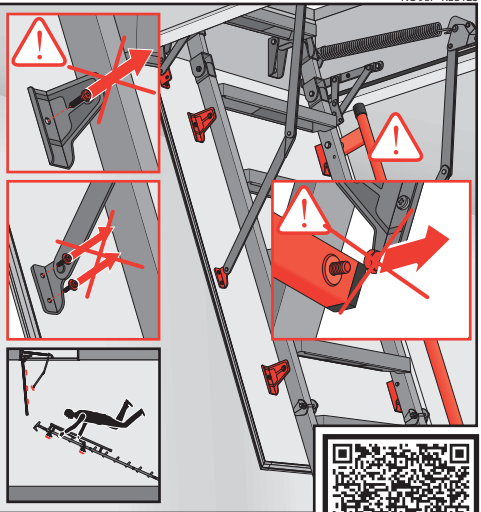
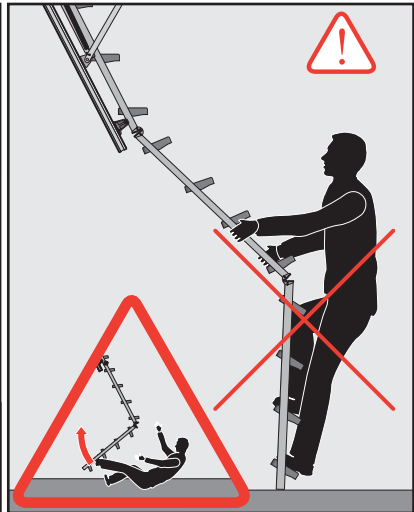
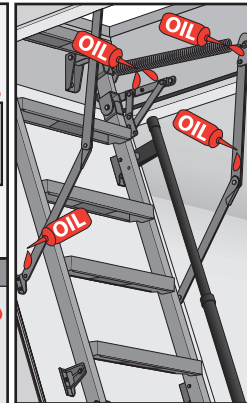
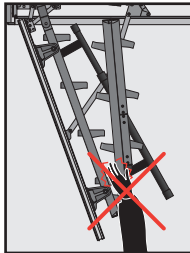
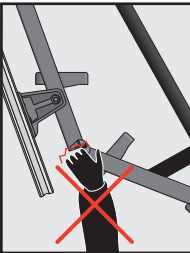


# ! WARNING! - ACHTUNG! - UWAGA! - ATTENTION! - CUIDADO! - ВНИМАНИЕ!

NC 98P KB3123



**! HYGRO RH MAX 65%**



**MAX 200kg / 350lbs\***  
\*North America

European Standard EN 14975



**1 year**

**FAKRO**  
www.fakro.com

**SAFETY! - SICHERHEIT! - BEZPIECZEŃSTWO!  
SÉCURITÉ! - SEGURIDAD! - БЕЗОПАСНОСТЬ!**

<https://www.fakro.com/service/safety-instructions/>

